

Infold Door

ASSEMBLY GUIDE

IMPORTANT

- 1.. The cubicle can be constructed either way up, for left or right hand opening.
- 2.. These instruction and list of parts assume that installation is done against solid or tiled walls. Hollow or "Stud - partition" walls will require alternate fixings. Please consult a hardware supplier for the correct type. It may also be necessary to consult your tiling supplier about the correct method for drilling your tiles.
- 3.. Please check this product for damage prior to starting the installation. No claims can be made after the products has been fitted, or after fitting has commenced.
- 4.. This is a 2 person installation.
- 5.. Please note the minimum and maximum adjustment for this product are based on perfectly plumb walls.

Tools Required *Please note hand tools **NOT** supplied.*



Drill



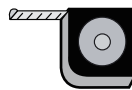
7mm Masonry Drill
3.2mm HSS Drill



Spirit Level



Pencil



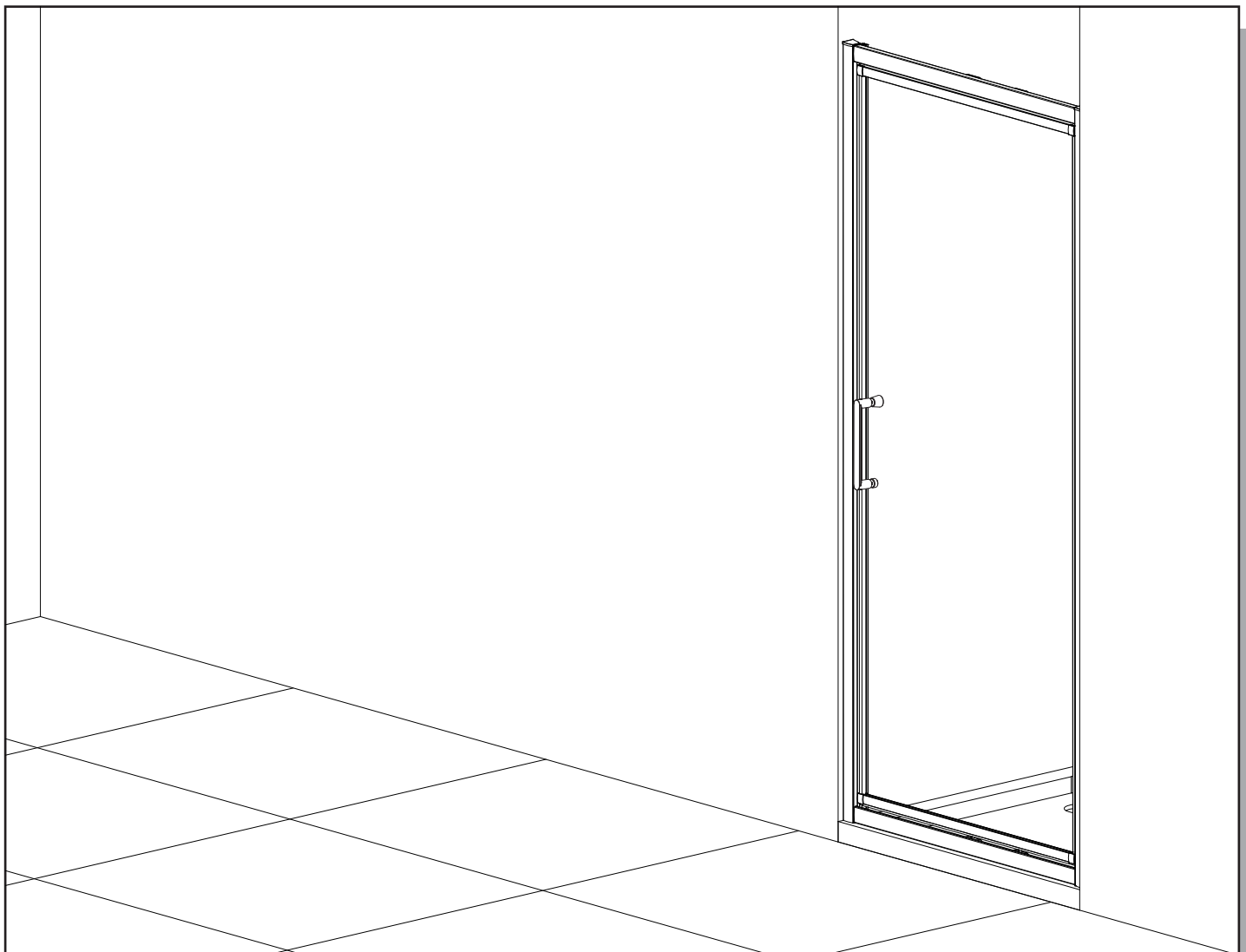
Tape Measure



PH2 TYPE
Screwdriver

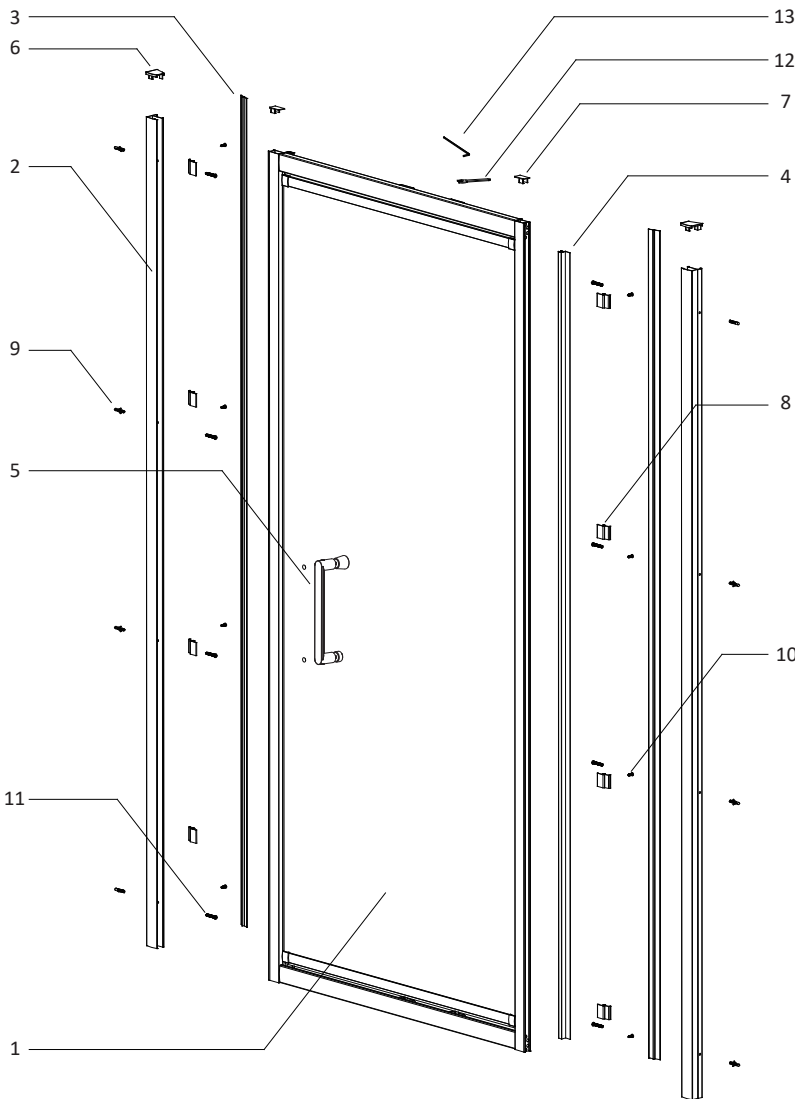


Sealant Gun

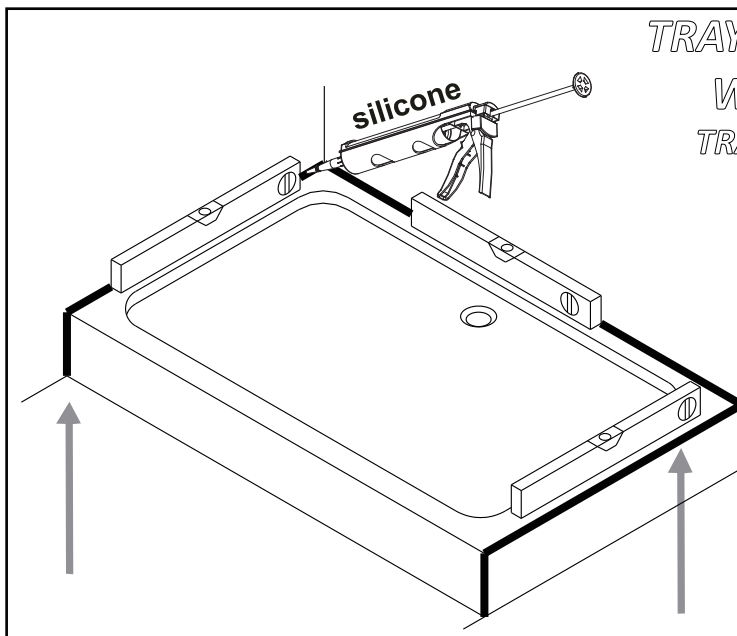


Infold Door

EXPLODED VIEW AND PARTS LIST



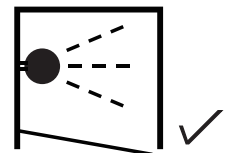
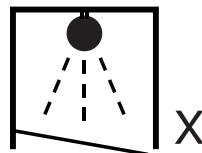
SN	Code	Description	Qty	Image
1	N/M	Door Panel	1	
2	ALU8654	Wall Channel	2	
3	ALU13660	Cover Profile	2	
4	309PA-8	Flipper Seal	1	
5	S1HW30	#12012 Handle	1	
6	S1PS21L/R	Wall Channel Cap	2	
7	S1PS05	Upright Profile Cap	2	
8	S1PS20	Cover Profile Clip	2	
9	SBLTL001	Wall Plug	8	
10	SBLTL003	ST 3.5 x 12 Screw	8	
11	SBLTL013	ST 4 x 30 Screw	8	
12	SBLTL054	Spanner 10mm	1	
13	SBLTL019	M5 Allen Hex Key	1	



**TRAY MUST BE SEALED FULLY AROUND
WHERE THE TRAY MEETS THE WALL
TRAY MUST BE 100% LEVEL IN ALL DIRECTIONS**

**TRAY MUST BE 100% LEVEL IN ALL DIRECTIONS
TRAY MUST BE SEALED FULLY AROUND WHERE
THE TRAY MEETS THE WALL**

Ensure the shower tray is level in all directions and is properly sealed to the wall. The wall must be tiled down to the top edge of the tray. Do not angle out bottom tile.



It is good plumbing practice and common sense to not install a shower head pointing at the opening of any shower enclosure.

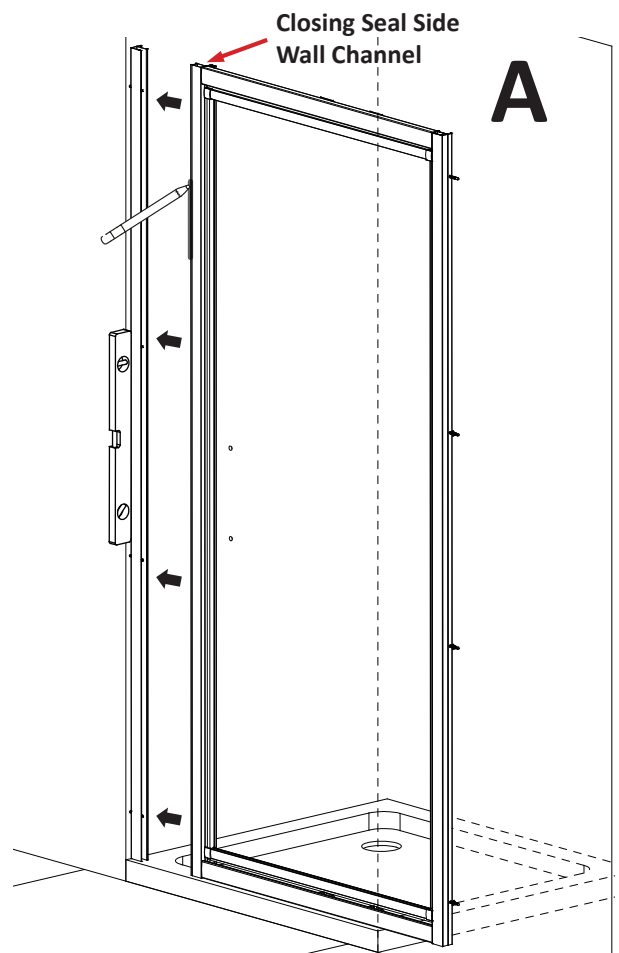
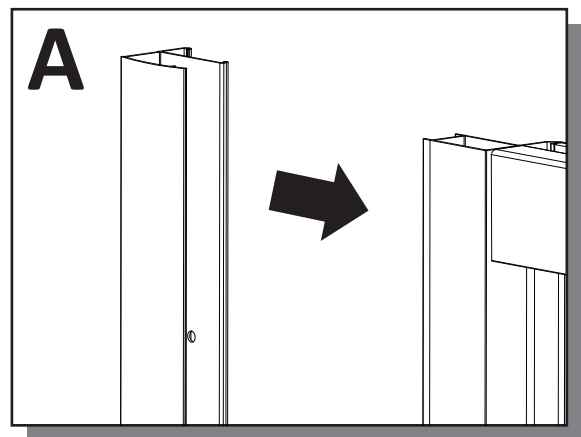
Step A

Position the assembled door frame (with wall profile fully pushed into frame) onto the tray and decide on the step in from the edge of the tray to wall profiles. The wall profiles can be adjusted until the door is positioned correctly on the tray.

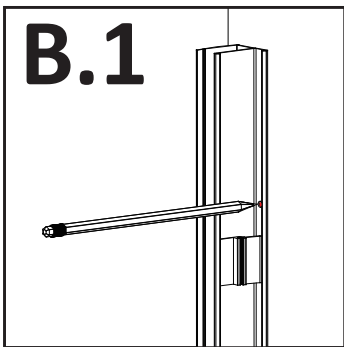
Step B

Position the wall channels back on the tray ensuring the wall channels are plumb, mark the position of the holes in the wall. Do this by marking the wall with a pencil through the pre-drilled holes in the wall channel. Drill with **6mm** masonry drill bit and insert wall plug (**8 x SBLTL001**). Slot wall channels into the door frame, then lift door onto the tray. Fix the wall channel with screws **ST4x30 (8 x SBLTL013)**.

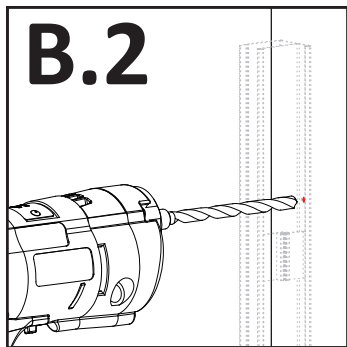
Note: Fix the magnetic side wall channel to the wall first.



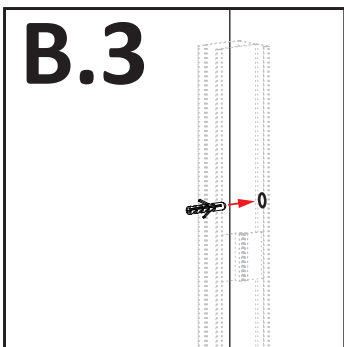
B.1



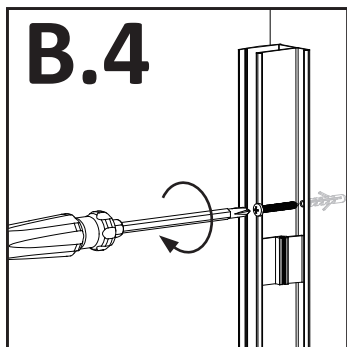
B.2



B.3



B.4

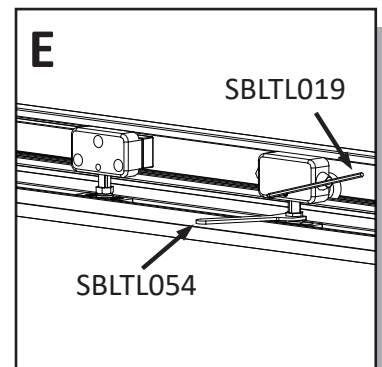
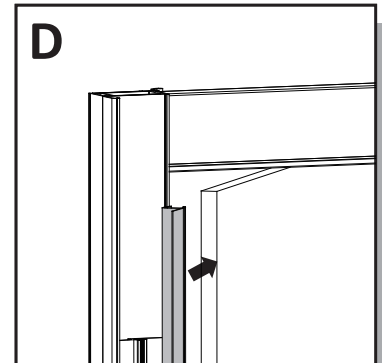
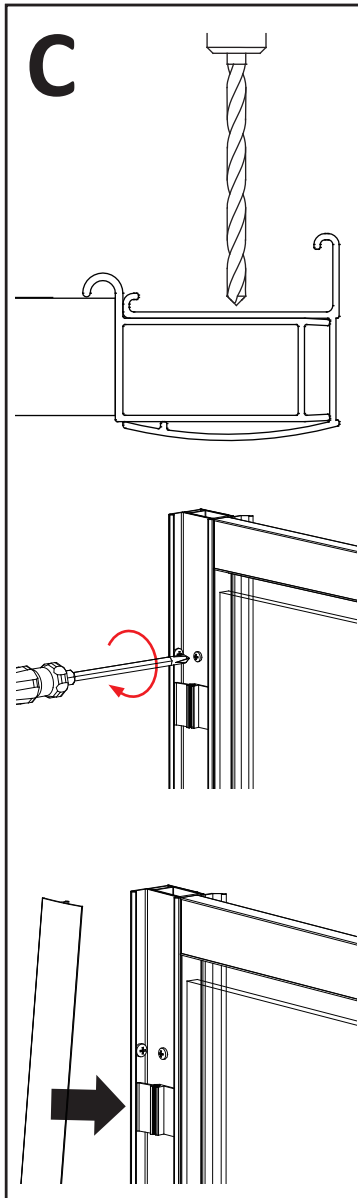


Step C

Drill 3 equally spaced holes with **3mm** drill bit through the wall profile and frame. Fix the frame to the wall profile with **ST3.5 x 12** screws (**8 x SBLTL003**). Put the Cover Profiles (**2 x ALU13660**) on the plastic clip (**8 x S1PS20**).

Step D

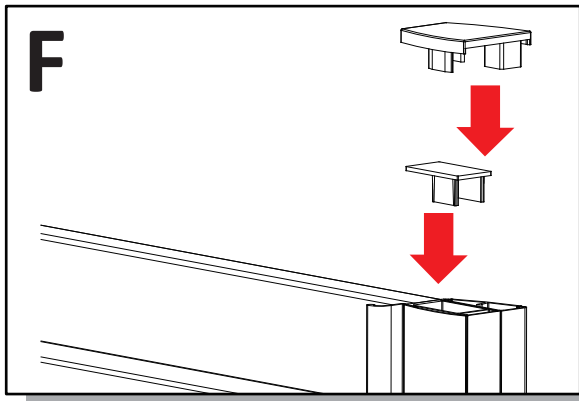
Attach the Vertical flipper seal **309PA-8** to the end side of the glass panel.



Step E

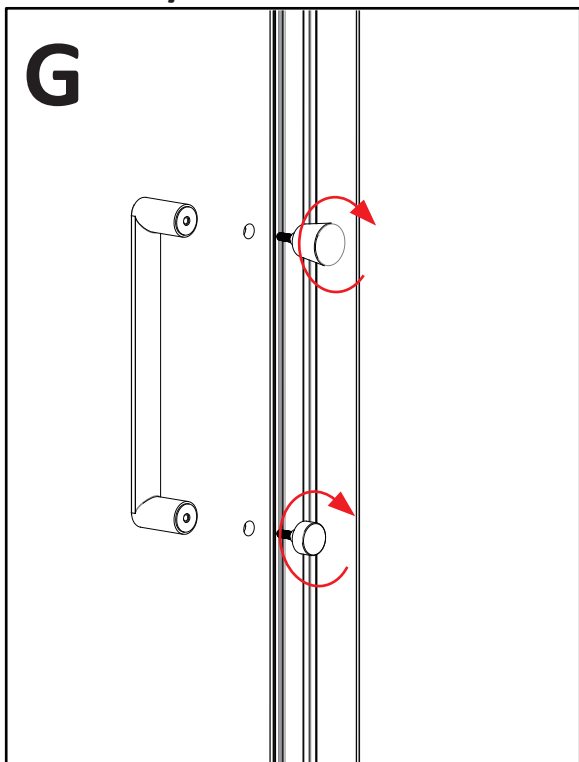
Adjust the runner or arm fixing block using the spanner (**SBLTL054**) if necessary. Loose the grub screw using the M5 allen key (**SBLTL019**) **BEFORE** adjusting.





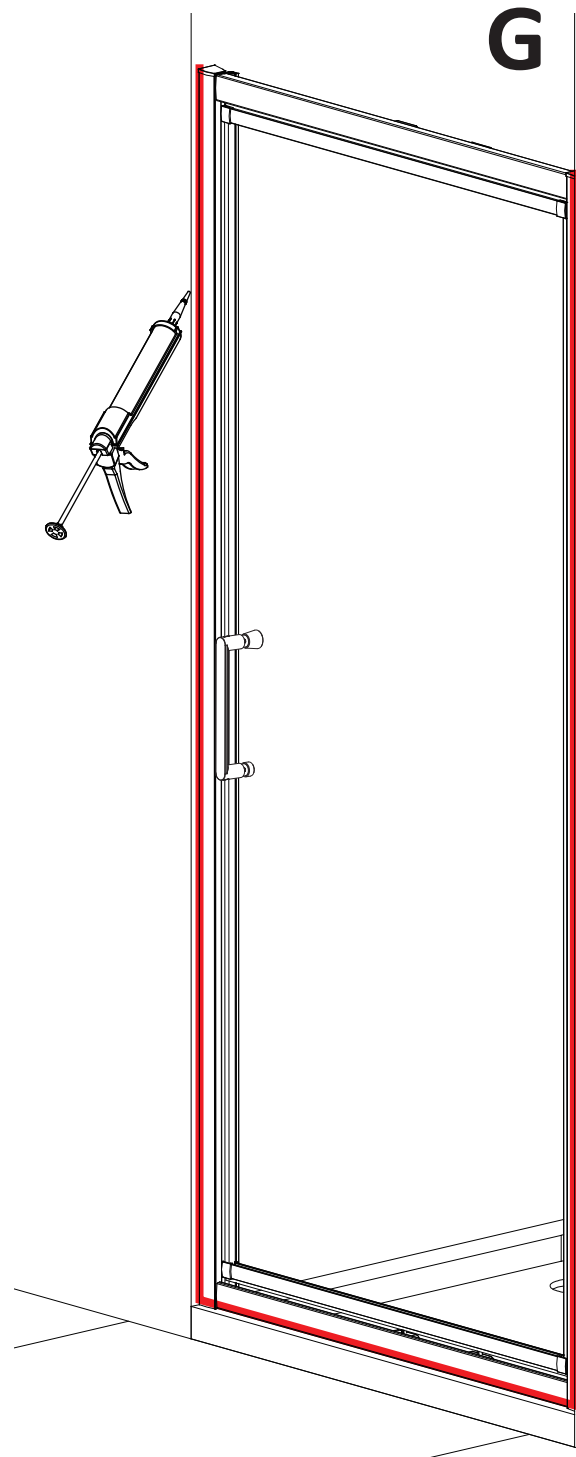
Step F

Put the upright profile caps **S1PS05** and wall channel caps **S1PS21L/R** on.



Step G

Fix the handle (**S1HW30**) on.



24 HRS

DO NOT USE THE ENCLOSURE FOR 24 HOURS AFTER SEALING



Step G

Applying Silicone Sealant And Cleaning

Seal from the top of the wall channel to the bottom on the **INSIDE** and **Outside** between the wall channel and the wall, and between the bottom profile and shower tray as shown. Wash down with clean warm water and a soft clean cloth or sponge. Please do not use bleach, alkaline or acid-based, aggressive or abrasive cleaning products.