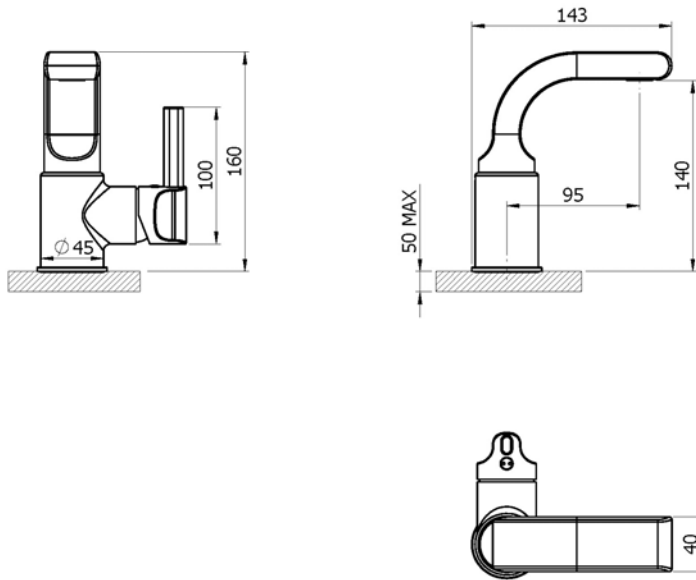




# PANACEA

## 4P2002 – MINI MONO BASIN

**Francis Pegler**  
BY COMAP



### Specification

Finish	Chrome
Body	Brass
Fittings	Metal plate, washer, stud & locking nut
Connection	M12 – DN8 flexible hoses with 1/2" BSP threaded ends
Min dynamic pressure	0.4
Max dynamic pressure	6
Max static pressure	16
Max water temperature	60°C

### Flow rates

Pressure	0.1	0.5	1	3
L/min	1.2	7	10.6	19.3

All Pressures are in Bar.  
 Dimensions supplied are nominal and subject to tolerance.  
 Inclusion of aerator (if supplied) or restrictors (sold separately unless stated) will affect flow rate result.  
 Performance details are based on trials under test conditions and for guidance only.  
 The Company reserves the right to change product specification without prior notice.

### Features & Benefits



Guarantee



High Pressure



Flexible Hose



Click Waste



Flow Aerator



Single Flow

### Certifications



Tested at 3 bar