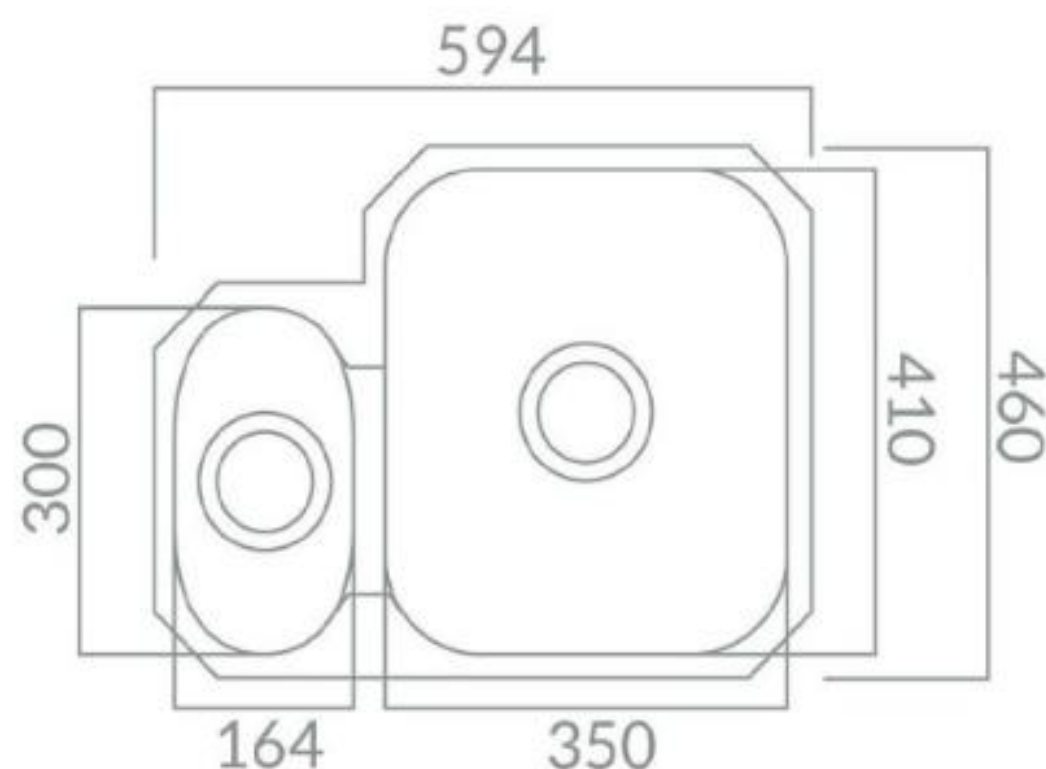


Product Data Sheet



Prima Code	CPR512
Description	Prima 1.5B Undermount Left Hand Small Bowl Sink
Colour	Grey/Silver
Material	SS304 powder coated Stainless Steel
Stainless Steel Thickness (mm)	0.8
Finish	Polished
Fitting Style	Undermount
Sealant Strip (Incl./Separate)	N/A
No. Drainers	0
No. Tap Holes	0
Dimensions (mm)	W 594 x D 460 x H 190
Main Bowl Dimensions (mm)	W 350 x D 410 x H 190
Half Bowl Dimensions (mm)	W 164 x D 300 x H 110
Cut out depth (mm)	417
Cut out width (mm)	549
Minimum cabinet width (mm)	600
Main Bowl Radius (mm)	89
Half Bowl Radius (mm)	89
Drainer (RH/LH)	No Drainer
Reversible	No
Accessories (included)	Waste, overflow & template
Accessories (optional)	CPR108 Plumbing kit
Waste disposer compatible	Yes
Boxed/Sleeved packaging	Boxed
Guarantee	Lifetime