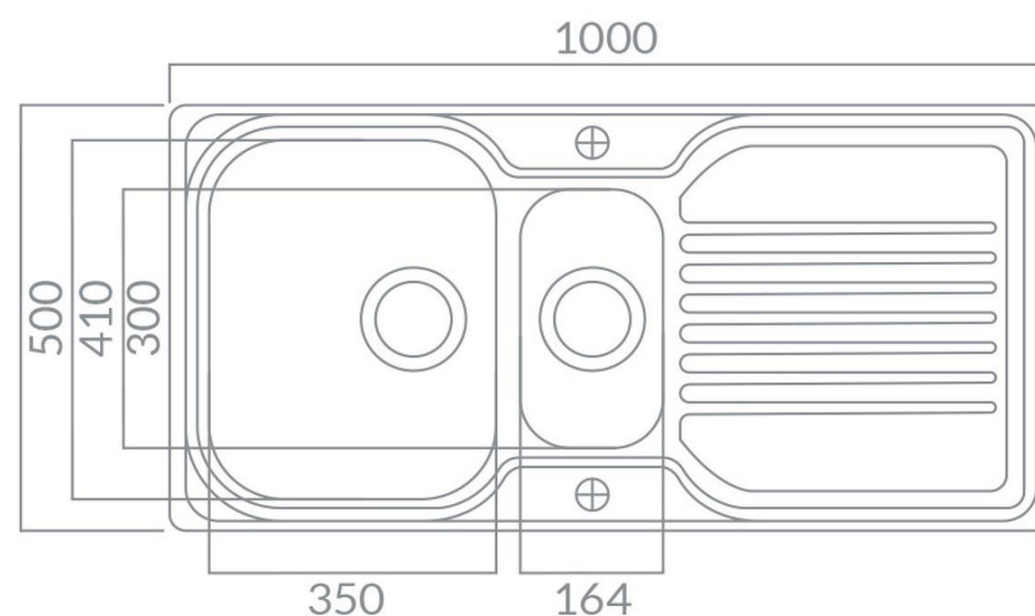


Product Data Sheet



Prima Code	CPR032
Description	Prima Deep 1.5B & Drainer Inset Sink
Colour	Grey/Silver
Material	Stainless Steel
Stainless Steel Thickness (mm)	0.8
Finish	Polished
Fitting Style	Inset
Sealant Strip (Incl./Separate)	N/A
No. Drainers	1
No. Tap Holes	0
Dimensions (mm)	W 1000 x D 500 x H 200
Main Bowl Dimensions (mm)	W 350 x D 410 x H 200
Half Bowl Dimensions (mm)	W 164 x D 300 x H 143
Cut out depth (mm)	475
Cut out width (mm)	980
Minimum cabinet width (mm)	600
Main Bowl Radius (mm)	85
Half Bowl Radius (mm)	85
Drainer (RH/LH)	Both
Reversible	Yes
Accessories (included)	Waste, overflow & fitting clips
Accessories (optional)	CPR108 Plumbing kit
Waste disposer compatible	Yes
Boxed/Sleeved packaging	Boxed
Guarantee	Lifetime