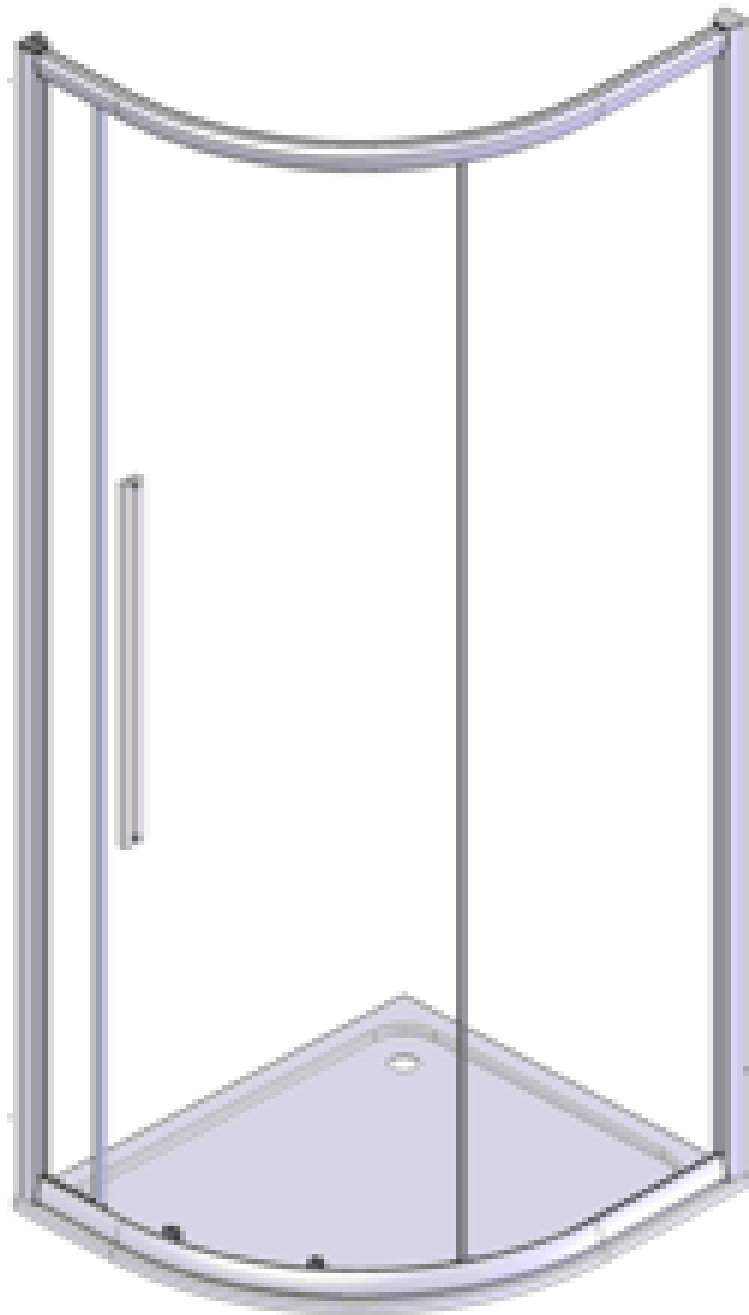




# SINGLE DOOR QUADRANT

## Installation Guide



- Please ensure the tray is **100% level** on all sides using a spirit level.
- Please ensure you have all the tools required before fitting.
- Please ensure all sizes have been checked before fitting.
- Please check all components are present.
- DO NOT attempt to fit unless the above is correct.
- All screws and plugs supplied are intended to be used on solid walls. If wall is not solid please speak to your local hardware store for the correct fixings.
- We recommend the enclosure to be fitted by qualified operators.
- This Quadrant can only be used with radius of 550mm
- Before fitting please ensure there is no damage to the product. The product cannot be returned once fitted.
- DO NOT silicone the inside of the product.
- Seal between tray and tiles. Remove any excess sealant
- Please allow the silicone 24 hours to dry before using.

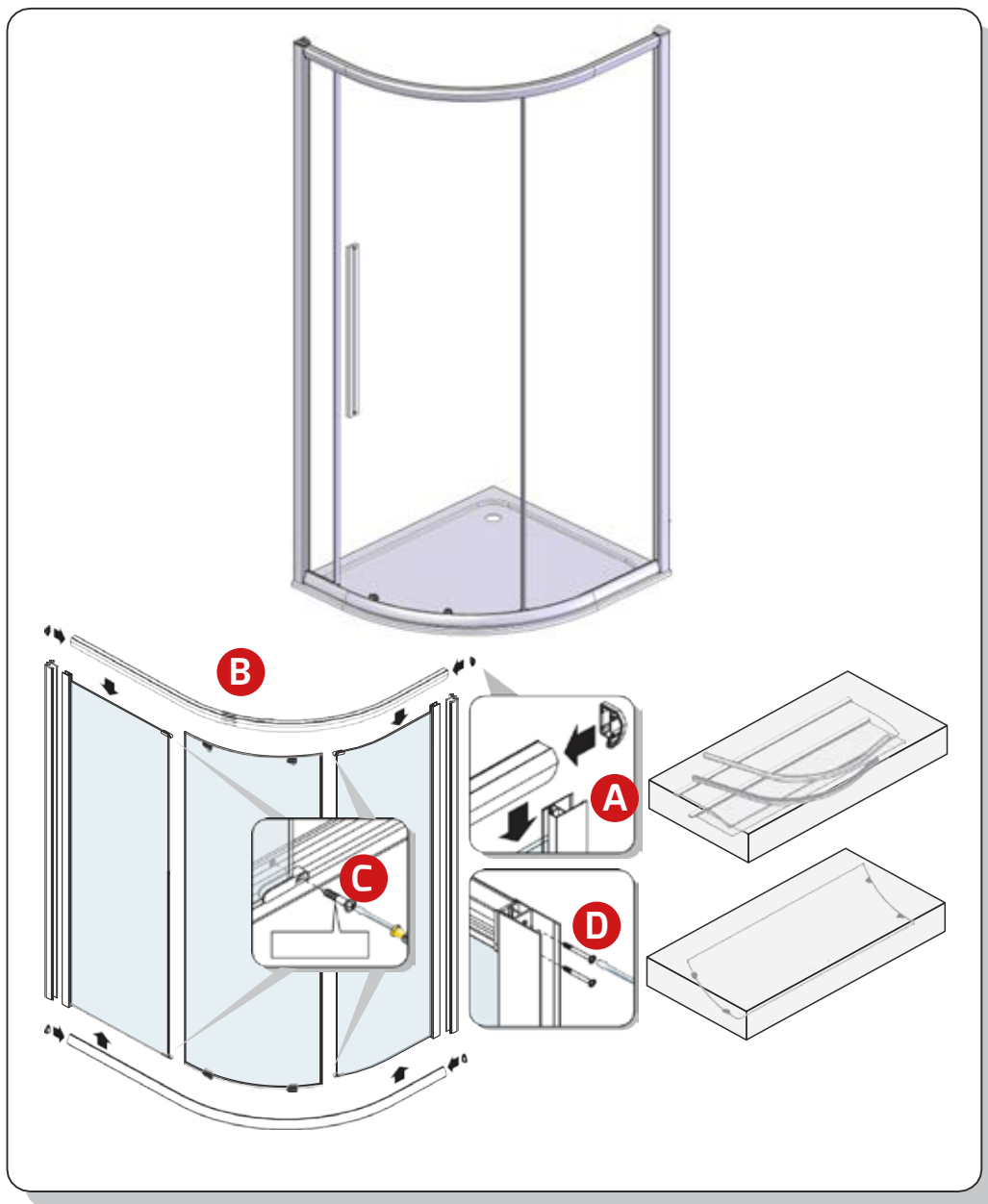
## IMPORTANT:

- The glass should not be cut. Polished chrome and metal can be scratched therefore please carefully remove any items from the box.
- DO NOT place glass on any hard surface or expose any edges to impact.
- Please handle all glass with care. Please ensure you are using the correct PPE (personal protective equipment) when handling the glass.

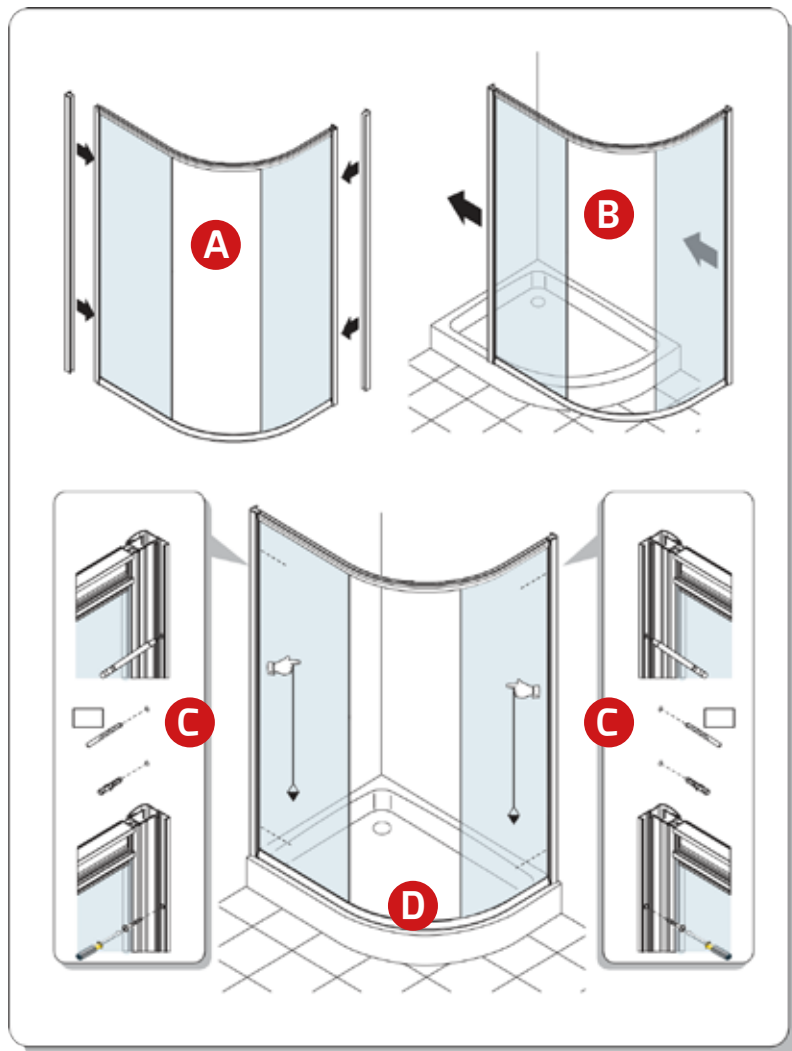
## TOOLS REQUIRED:

Masonry Drill bit, Tape Measure, Screw Drivers, Safety Glasses, Electric Drill, Spirit Level, Pencil, Adjustable Spanners, Non Slip Gloves.

1. Remove profiles from the side panels.
2. Attach top and bottom rails to the side panel and frame ensuring all caps are fitted as shown in pic (A). Caps must be fitted before securing the frame. Pilot holes will not match up without the caps being fitted.
3. Ensure pilot holes align and screw together with the provided screws. (see picture C & D).

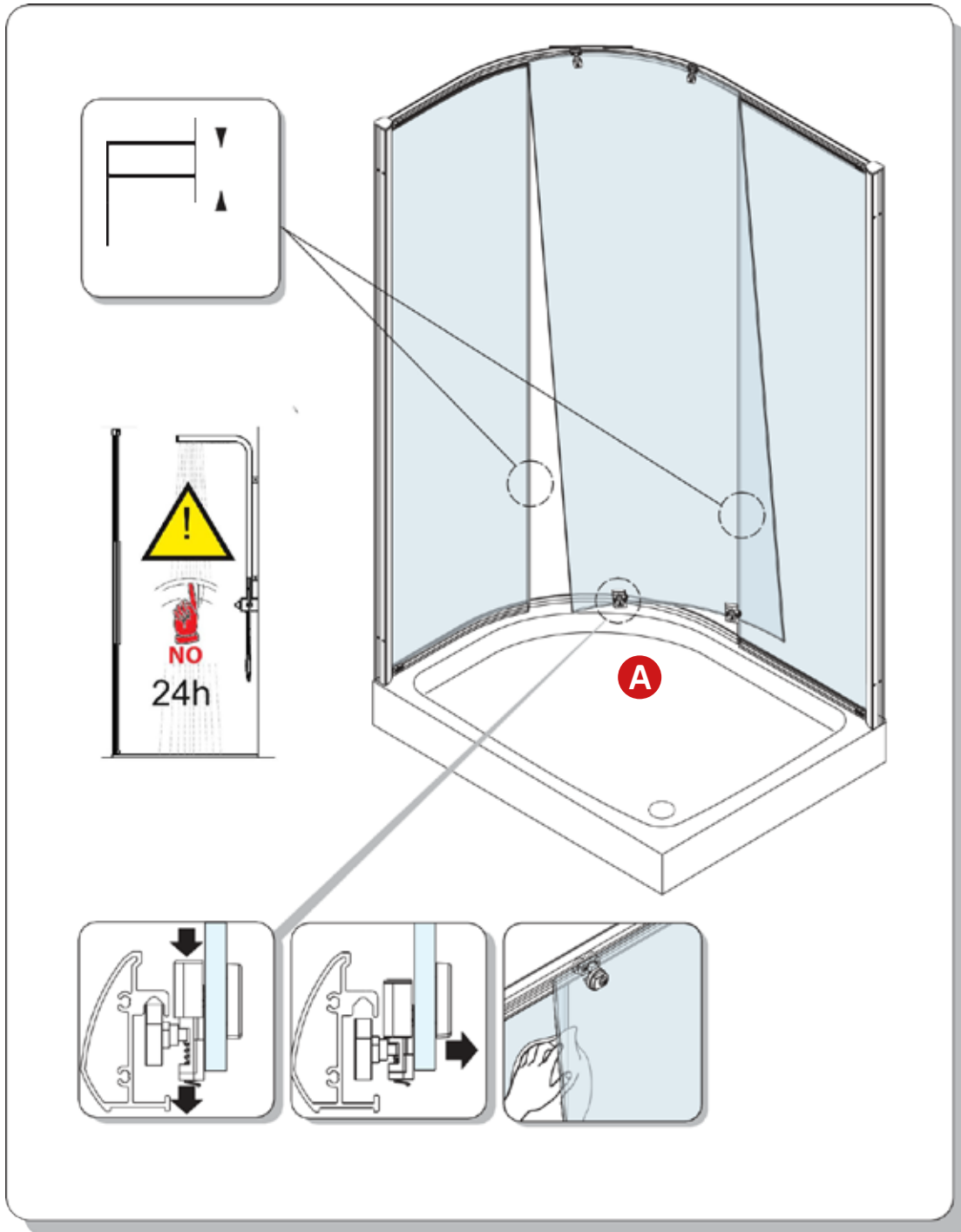


4. Once top and bottom frames are fitted please re-attach the profiles to the frame shown in picture (A).
5. Once You have checked that the frame is secure and all screws have been tightened, Please carefully lift the frame onto the tray picture (B).
6. Only complete step 5 if the tray is 100% level and has been checked with a spirit level.
7. Once you are happy with the position of the Quadrant please mark the screw holes, see picture (C).



NOTE: ENSURE THE WIDTH FROM THE EDGE OF THE TRAY TO THE QUAD IS THE SAME BEFORE SECURING. IF NOT ADJUST ACCORDINGLY. SEE PICTURE (D).

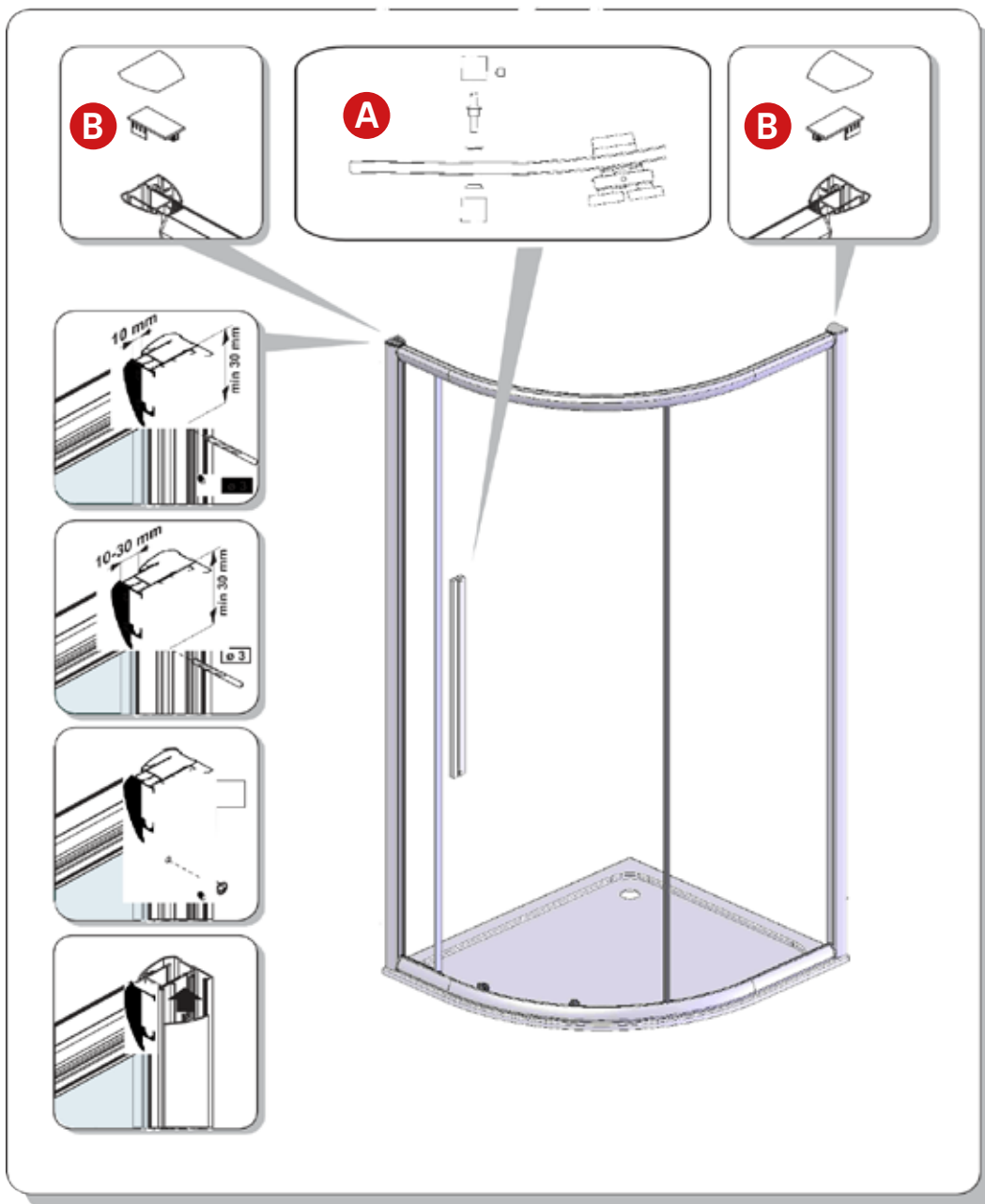
8. Once the Quadrant is secured please Carefully attach the door placing the top wheels on first and then simply push the bottom buttons picture (A) to secure the bottoms wheels to the frame.



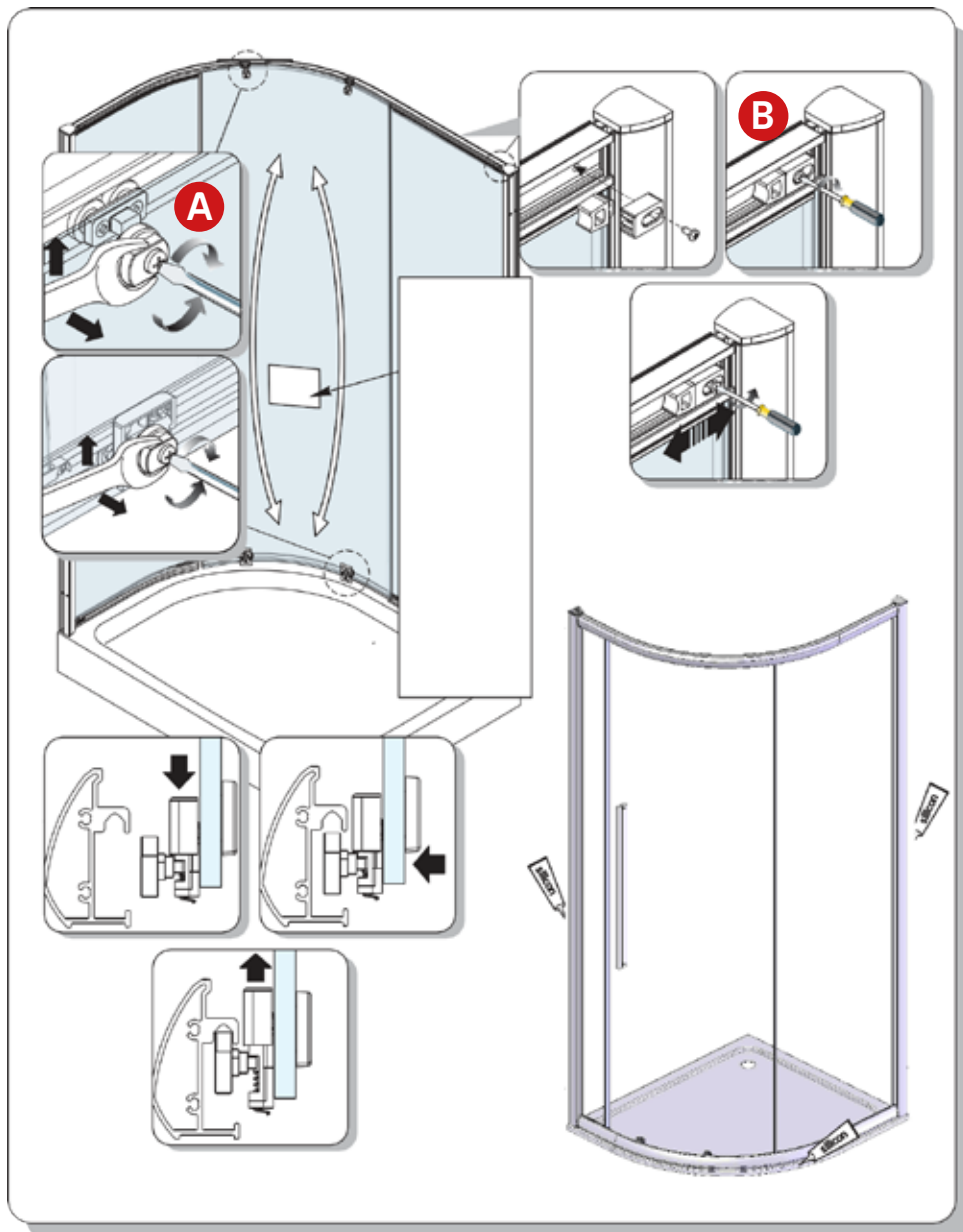
9. To fit the door handle, first remove the rivet pin from the handle. Put the Rivet through the holes provided and secure the handle on the opposite side using the correct screwdriver. Once the handle is on secure the handle by tightening the grub screw.

Repeat step for top and bottom of the handle. See picture (A)

10. Fit caps to the top of the Quadrant see picture (B)



11. The door is supplied as right hand opening. This can be changed by, removing and re-attaching the wheels and flipping the door 180 degrees. The door can adjust using the white nuts and the correct spanner see picture (A).
12. Attach door rubber stoppers on the inside using the holes provided. The plastic clip and rubber stopper fit together. See picture (B).
13. Once the quadrant has been fitted please silicone the outside of the quadrant to create a water seal. See picture (C).



**IMPORTANT: DO NOT SILICONE THE INSIDE!!!**

## Installation:

- Ensure all walls and shower trays are level before installation is carried out.
- Always use a spirit level.
- Only use clear silicone.
- Make sure all surfaces are clean and dry before silicone is applied.
- Make sure you have plenty of room to carry out the installation.
- Please ensure you allow all silicone 24hours to dry before use.

## Cleaning:

- It is important to clean your product after every use. Wipe down all the glass and metal parts with a soft cloth.
- Do not allow lime scale to build up in hard water areas.
- Ensure any residual water left on the product is removed.
- To clean the product USE SOAPY WATER ONLY!
- Do not use abrasive products on any surfaces.
- Install Enclosures in a well ventilated area.

## General:

- All products are supplied complete with full installation instructions and the necessary fixings. Product descriptions do not imply the use of precious or valuable materials. Glass shattering and parts subject to wear are not covered by the guarantee.
- Although shower doors and enclosures are related to tray sizes its important to note that most shower trays are tiled down to the rim, often over a 'up-stand'. The finished installation space may be less than the nominal tray size.