

PRODUCT DATA SHEET

Core Brushed Brass Round Handle, Handset & Mounting Bracket

Product Code: NU-024



SCUDO
BEAUTIFUL BATHROOMS

0330 124 7290

sales@scudo.co.uk - www.scudo.co.uk

Scudo is the trading name of Harrison Bathrooms Ltd. Whilst we endeavour to ensure that the product information is accurate we accept no liability for any information given. All images are for illustration purposes only. Product images and specification are subject to change. Measurement are in millimetres and are nominal.

Product Measurements

Product Weight:	4.435kg
Product Width:	Variable
Product Height:	Variable
Product Depth:	Variable
Product Length:	N/A

Product Transportation

Barcode:	5060766124650
Country of Origin:	China
Comodity Code:	7324900000

Primary Packed Measurements

Packaged Weight:	6.001kg
Packaged Length:	720mm
Packaged Width:	275mm
Packaged Height:	175mm

Packaging Weight

Card:	1.042kg
Plastic:	0.56kg

General Information

Construction Material:	Brass / Stainless Steel 304 Alloy
Installation Type:	Wall Mounted
Colour / Finish:	Brushed Brass

Shower Specification

Anti-Scald:	Yes
Shower Diverter Functions:	Yes
Number of Outlets:	2
Thermo Temp Control:	Yes
Cool Touch:	No
Shower Handset Functions:	1
Minimum Working Pressure:	0.5
Maximum Working Pressure:	5
Shape:	Round
Pipe Centre:	N/A
Inlet Connection:	1/2 BSP
Outlet Connection:	1/2 BSP Handset
Adjustable:	N/A
Adjustment:	N/A
Handle Type:	Round

Flow Rates

0.2bar (l/min)	5.6
0.5bar (l/min)	8.8
1bar (l/min)	13.8
2bar (l/min)	20.8
3bar (l/min)	25.7

Compliance DOP

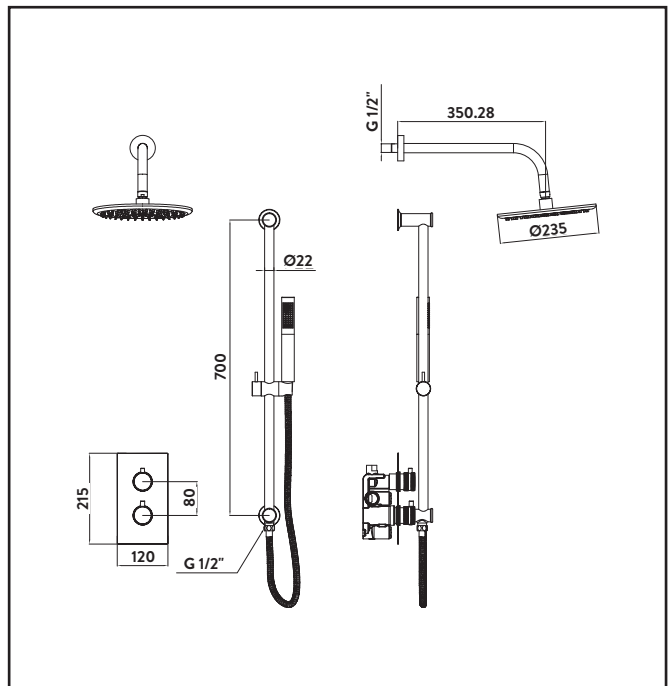
Spares

spares@harrisonbathrooms.com

Tap Attributes

Tap Type Description:	Thermostatic Mixer
Includes Waste:	No
Valve / Cartridge Type:	Thermostatic Cartridge

For Part G Building regulations, compliance see flow regulator section of spec binder.



Dimensions (measurements in mm)



LIFETIME GUARANTEE

We are confident in our products and we want our customer to be, we proudly give a lifetime guarantee on our taps and showers, further details can be found on our website