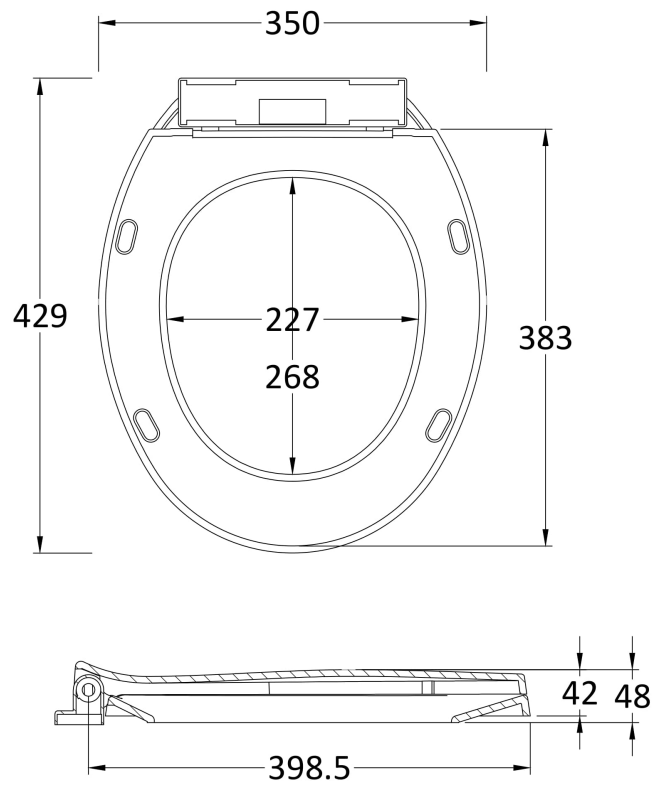


CUSTOMER DATA SHEET - TOILET SEATS

SALES CODE: NTS010

DESCRIPTION: Standard Round Seat, Sc, Bottom Fix



PRODUCT DIMENSIONS

Length (mm)	Width (mm)	Height(mm)	Nett Wgt Kg
429	350	48	1.4

PACKAGING DIMENSIONS

Length (mm)	Width (mm)	Height (mm)	Gross Wgt Kg
440	350	70	1.42

PACKAGING DATA

Box Colour	White Cardboard Box - Printed		
Box Qty	1	Label Colour	Not Applicable
Label Size	100 x 50	Label Qty	

OUTER BOX DIMENSIONS (If Applicable)

Length (mm)	Width (mm)	Height (mm)	Gross Wgt Kg
480	330	400	14
Barcode	5055369001446		

PRODUCT DETAILS

Country of Origin	China	CE Certification	Not Applicable
Fitting Instruction	Yes	Colour/Finish	White
Product Material	Polypropylene	Fixing Method	Bottom Fix
Seat Type	Round	Seat Function	Soft Close
Hinge Centres (Min)	120	Hinge Material	Polypropylene
Hinge Centres (Max)	180		