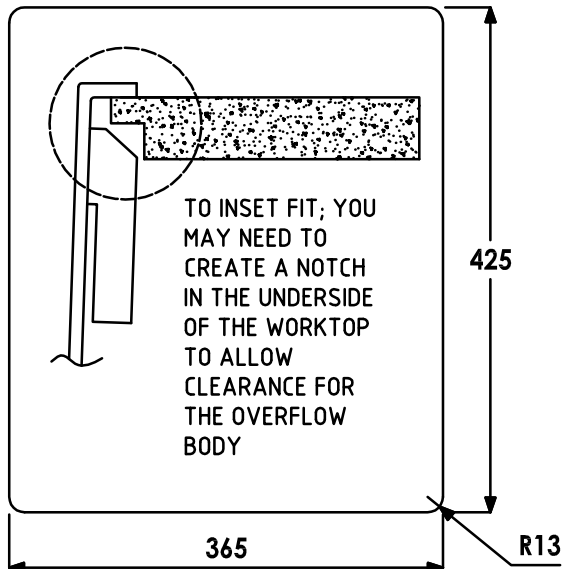


## INSET CUT OUT



## UNDERMOUNT CUT OUT

