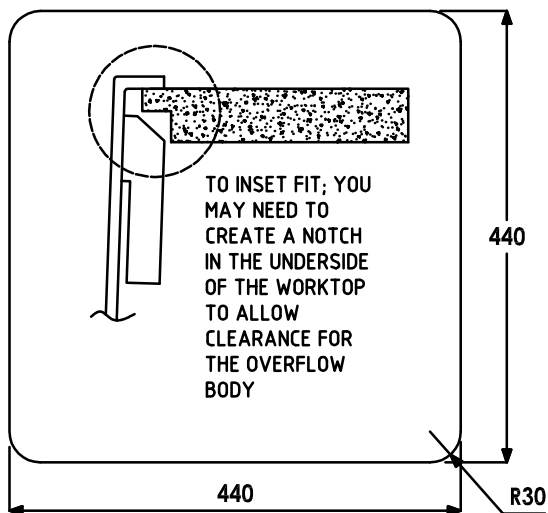


INSET CUT OUT



UNDERMOUNT CUT OUT

